



# Ignition Coils

## *Did You Know?*

*Ignition Coils are the 3rd most common automotive repair for Check Engine Lights\**

## Technology

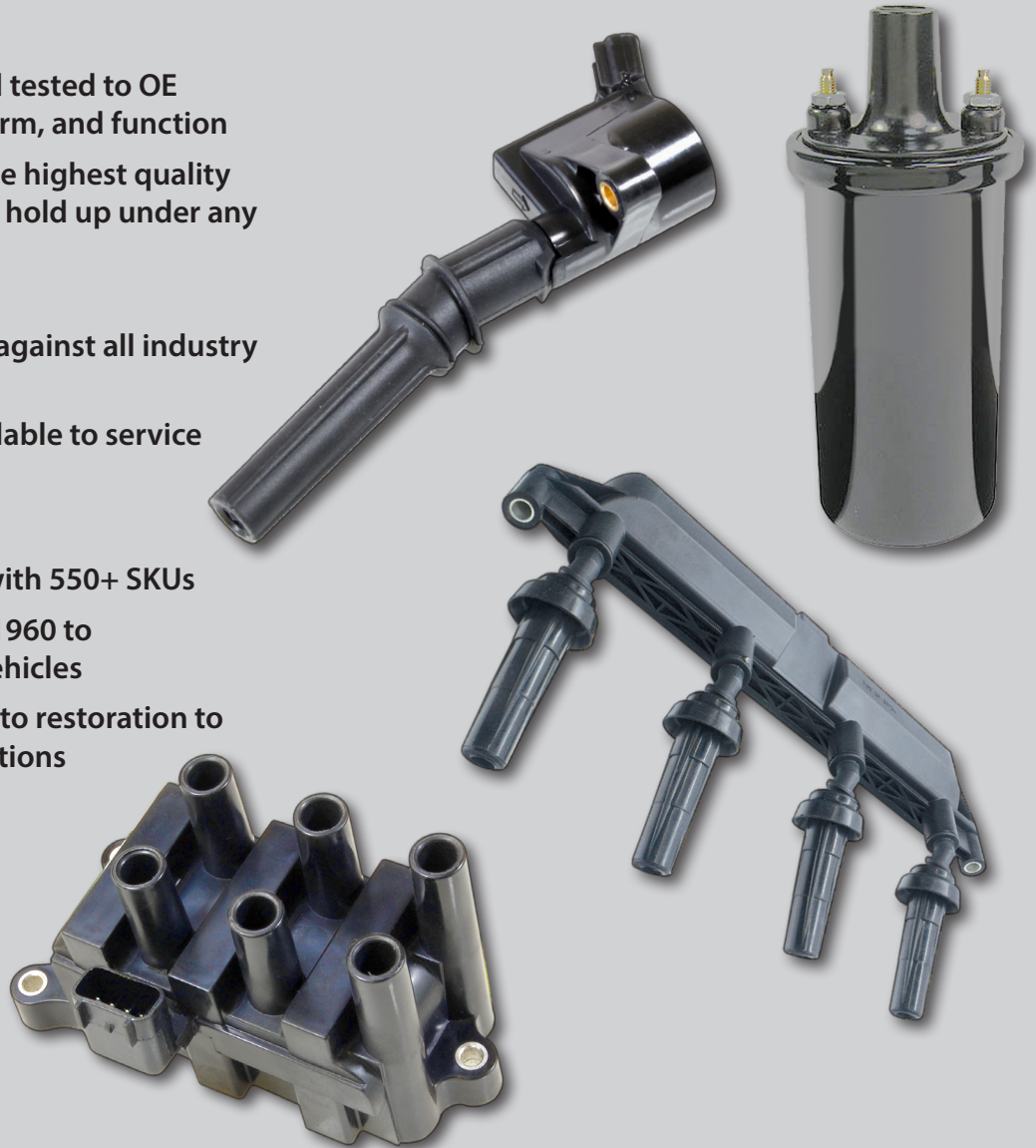
- 100% engineered and tested to OE specifications in fit, form, and function
- Manufactured with the highest quality materials designed to hold up under any condition

## Marketing

- Competitively priced against all industry programs
- Coil Set Program available to service entire vehicle

## Coverage

- Over 95% Coverage with 550+ SKUs
- Coverage starting in 1960 to current model year vehicles
- From standard repair to restoration to exotic vehicle applications



WALKER PRODUCTS, INC. • 525 WEST CONGRESS STREET • PACIFIC, MO 63069

U.S. Corporate Office: 636-257-2400 • Fax: 636-257-6211

Customer Service: 636-257-1700 • Technical Support: 844-252-0114

U.K. Sales Office and Distribution Center: +44 (0) 121-459-8006 • sales@walkerproducts.com

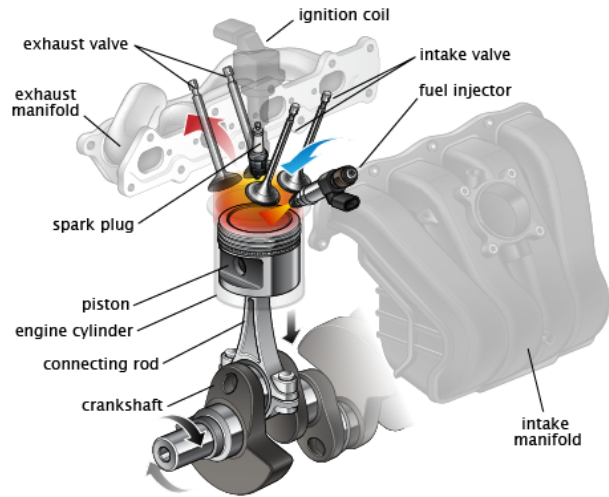
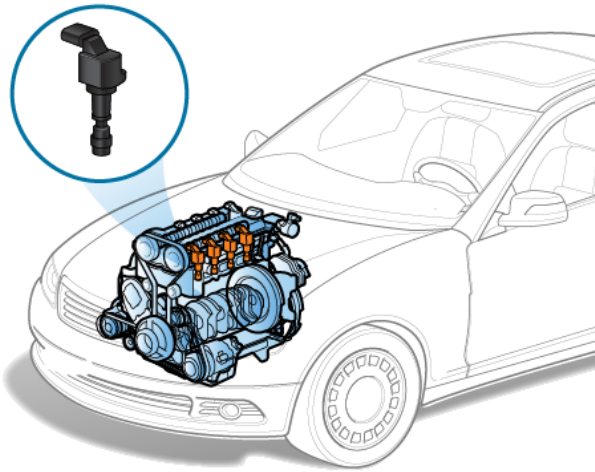
Oficinas para Mexico: +52-72-2402-2167 • Soporte tecnico y servicio al cliente en Mexico: +52-72-2207-8957

www.walkerproducts.com

## QUALITY • COVERAGE • SUPPORT

© 2024 Walker Products, Inc. All rights reserved. WF57-124A Rev. 2-2024

\*CarMD 2023 Vehicle Health Index



## WHAT DOES YOUR IGNITION COIL DO?

The Ignition Coil takes the battery's 12-volt output and amplifies it to over 30,000 volts. This higher voltage is then routed to the spark plug via coil boot or wire, which ignites the air/fuel mixture inside engine's cylinder.

## WHERE IS THE IGNITION COIL LOCATED?

The Ignition Coil is mounted either directly to the top of the spark plug or near the spark plugs. The Ignition Coil is connected to the spark plug(s) by the coil boot or ignition wires.

## WHY DOES THE IGNITION COIL FAIL?

The primary cause for failure is voltage overload caused by worn spark plugs or damaged cables and wires. The hot and cold temperatures plus engine vibrations can cause the coil's windings and insulation to break.

## HOW TO DIAGNOSE A FAULTY IGNITION COIL?

The vehicle could experience misfiring, backfiring, hard starting, poor performance, or poor fuel economy - these are all potential signs of a faulty ignition coil. The vehicle's check engine light could be triggered by a faulty ignition coil.

## HOW DO YOU FIX FAULTY IGNITION COILS?

Walker Products recommends replacing all the vehicle's ignition coils as part of the tune-up or regular maintenance. This will help prevent future ignition coil failures.

## WHY SHOULD YOU CHOOSE WALKER OE IGNITION COILS?

Walker Products Ignition Coils are 100% engineered and tested. Walker Products works continuously to stay current on all OE design changes, TSB's, and improvements to the OE design to make the best part for your vehicle. Walker Product's Ignition Coil Sets provides the ability to fix the vehicle the first time and not make multiple trips to the store getting what you need.