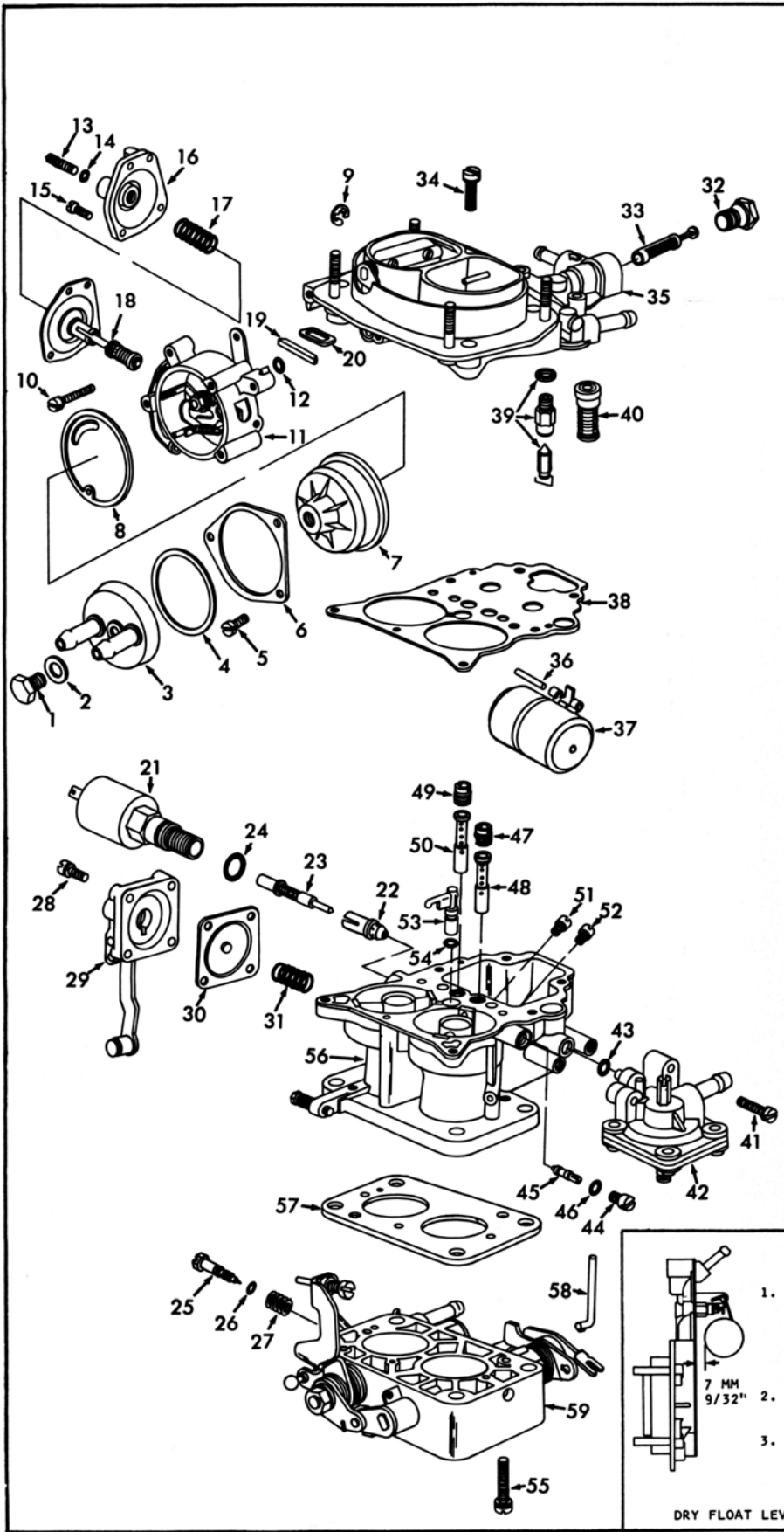


# INSTRUCTION SHEET

## WEBER CARBURETOR—MODEL 32ADFA

### GENERAL EXPLODED VIEW

THE GENERAL DESIGN AND PARTS SHOWN WILL VARY TO INDIVIDUAL UNITS COVERED ON THIS INSTRUCTION SHEET



### DISASSEMBLY

USE EXPLODED VIEW AS A GUIDE. THE NUMERICAL SEQUENCE MAY GENERALLY BE FOLLOWED TO DISASSEMBLE UNIT FAR ENOUGH TO PERMIT CLEANING AND INSPECTION. TO REMOVE VACUUM BREAK DIAPHRAGM ASSY. (18) CAREFULLY PRY PLASTIC GUIDE BUSHING FROM CHOKE HOUSING, IT HAS A SNAP FIT. VENT VALVE ASSY (40) HAS A RUBBER VALVE AND MUST BE REMOVED BEFORE CLEANING. VALVE RETAINER IS A PRESS FIT IN BOWL COVER. NOTE SIZES AND LOCATION OF JETS AND MAIN WELL TUBES FOR PROPER REASSEMBLY. (RECORD SIZES BELOW.)

### NOMENCLATURE

REF. NO.	REF. NO.
1. SCREW- CHOKE WATER COVER	33. FILTER- FUEL
2. WASHER- SCREW	34. SCREW & LOCKWASHER (6)- BOWL COVER
3. COVER- WATER HOUSING	35. BOWL COVER ASSY.
4. GASKET- COVER	36. PIN- FLOAT HINGE
5. SCREW (3)- CHOKE COVER RETAINER	37. FLOAT ASSY.
6. RETAINER- CHOKE COVER	38. GASKET- BOWL COVER
7. CHOKE COIL COVER ASSY.	39. NEEDLE, SEAT & GASKET ASSY.
8. GASKET- CHOKE COVER ASSY.	40. VENT VALVE ASSY.
9. RETAINER- CHOKE ROD	41. SCREW & WASHERS (2)- SPEED UP CONTROL
10. SCREW & LOCKWASHER (2)- CHOKE HOUSING ASSY.	42. SPEED UP CONTROL ASSY.
11. CHOKE HOUSING ASSY.	43. O-RING- SPEED UP CONTROL ASSY.
12. O-RING- CHOKE HOUSING ASSY.	44. HOLDER- SECONDARY IDLE JET
13. SCREW- DIAPHRAGM ADJUSTING	45. JET- SECONDARY IDLE
14. O-RING- ADJ. SCREW	46. O-RING- SEC. IDLE JET HOLDER
15. SCREW (3)- COVER ASSY.	47. JET- SECONDARY AIR
16. COVER ASSY.- DIAPHRAGM	48. TUBE- SECONDARY EMULSION
17. SPRING- DIAPHRAGM RETURN	49. JET- PRIMARY AIR
18. DIAPHRAGM & GUIDE BUSHING ASSY.	50. TUBE- PRIMARY EMULSION
19. PLUG- CHOKE ROD SEAL	51. JET- PRIMARY MAIN
20. SEAL- CHOKE ROD	52. JET- SECONDARY MAIN
21. SOLENOID- IDLE SHUTOFF	53. NOZZLE ASSY. PUMP
22. JET- PRIMARY IDLE	54. O-RING- PUMP NOZZLE
23. PLUNGER- SHUTOFF	55. SCREW & LOCKWASHER (2)- THROTTLE BODY
24. O-RING- SOLENOID	56. BOWL ASSY.
25. NEEDLE- IDLE MIXTURE ADJUSTING	57. GASKET- THROTTLE BODY
26. O-RING- IDLE ADJ. NEEDLE	58. ROD- BOWL VENT
27. SPRING- IDLE ADJ. NEEDLE	59. THROTTLE BODY ASSY.
28. SCREW & LOCKWASHER (4)- PUMP COVER	
29. PUMP COVER ASSY.	
30. DIAPHRAGM ASSY.- PUMP	
31. SPRING- PUMP DIAPHRAGM	
32. PLUG- FUEL FILTER	

### CLEANING

CLEANING MUST BE DONE WITH CARBURETOR DISASSEMBLED. SOAK PARTS LONG ENOUGH TO SOFTEN AND REMOVE ALL FOREIGN MATERIAL. USE A CARBURETOR CLEANING SOLVENT. MAKE CERTAIN THE THROTTLE BORES ARE FREE OF ALL CARBON AND VARNISH DEPOSITS. RINSE OFF IN SUITABLE SOLVENT. BLOW OUT ALL PASSAGES IN CASTINGS WITH COMPRESSED AIR AND CHECK CAREFULLY TO INSURE THOROUGH CLEANING OF OBSCURE AREAS. CAUTION: DO NOT SOAK FLOAT, SOLENOIDS, PARTS CONTAINING RUBBER OR DIAPHRAGM ASSEMBLYS IN CLEANING SOLVENTS.

### REASSEMBLY

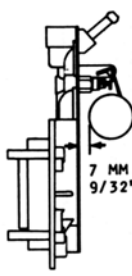
REASSEMBLE IN REVERSE ORDER OF DISASSEMBLY. NOTE SPECIAL INSTRUCTIONS AND ADJUSTMENTS.

### SPECIAL INSTRUCTIONS

PUMP DIAPHRAGM SPRING (31)- SHORTER THAN SPRING (17)

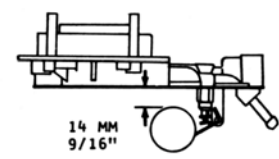
IDLE ADJUSTING NEEDLE (25)- TURN IN UNTIL LIGHTLY SEATED THEN BACK OUT 2 TURNS.

CHOKE COIL & COVER ASSY. (7)- WHEN INSTALLING BE SURE TO INSTALL BI-METAL SPRING HOOK IN SLOT OF LEVER. ALIGN MARK ON CHOKE COVER WITH MARK ON CHOKE HOUSING.



1. BOWL COVER HELD IN A VERTICAL POSITION (BOWL COVER GASKET IN PLACE). FLOAT RESTING ON NEEDLE (DO NOT COMPRESS SPRING LOADED NEEDLE).
2. MEASURE DISTANCE BETWEEN FLOAT & BOWL COVER GASKET.
3. TO ADJUST BEND TANG.

DRY FLOAT LEVEL ADJUSTMENT



1. BOWL COVER HELD IN THE NORMAL POSITION. FLOAT HANGING IN FULL DOWN POSITION MEASURE FROM BOWL COVER GASKET TO TOP OF FLOAT.
2. TO ADJUST BEND FLOAT STOP TANG.

FLOAT DROP ADJUSTMENT